

EOS



EOS P915140 00001



Incorporated control board:
SCE

- **Advanced design and low-voltage safety** – EOS is the reliable noiseless operator for sectional doors or spring-operated overhead doors.
- Maximum safety guaranteed by the **antisquash system** which inverts the direction in case of obstacles in opening and closing.
- **Automatic limit switches** regulate the door end-of-run phases on opening and on closing.
- **Simple and fast to install**, it is supplied with all the components already assembled and in working order, as well as self-regulation procedures.
- Versions available with **chain and belt drive**.
- **Continuous service** guaranteed by a back up battery kit CB EOS (optional).
- Incorporated **courtesy light**.

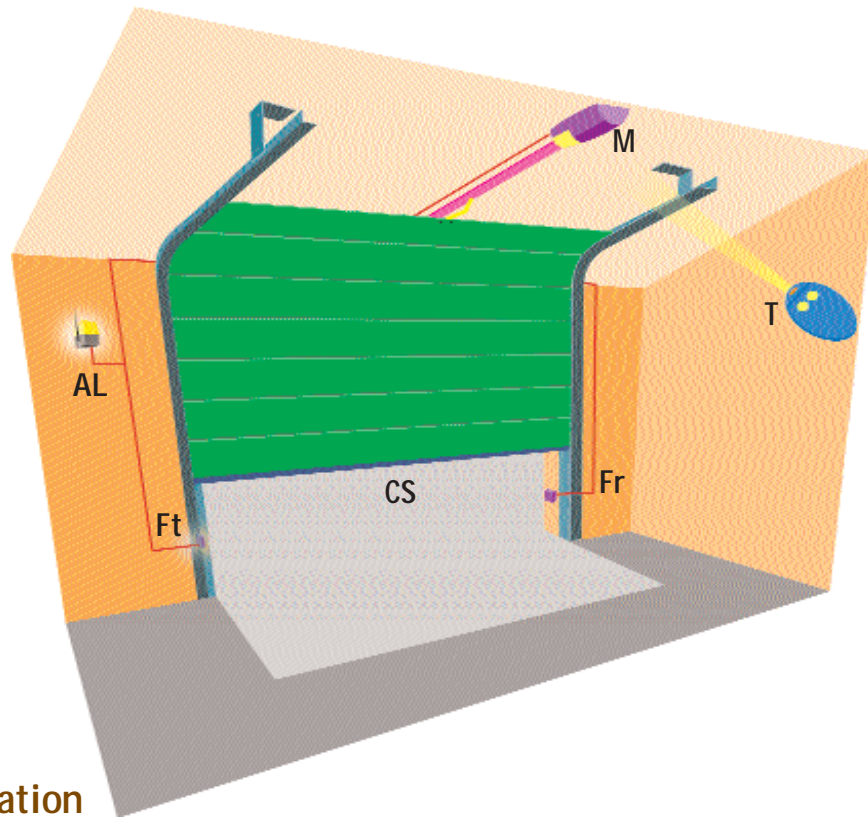


Operator EOS

Single-phase power supply	230V~ ± 10%, 50-60 Hz
Motor supply	24 Vdc
Absorbed power	130 W
Max door height	2,50 m
Force	600 N
Speed	5m/min
Working stroke	2600 mm (*)
Limit switch	self-regulated encoder integrated in the panel
Impact reaction	electronic torque limiter and encoder integrated in the panel
Manual manoeuvre	rope knob
No. manoeuvres in 24 hours	100
Control unit	SCE
Operator weight	80 N (~8 kg)
Dimensions	see drawing

(*) up to 3500 mm with extended accessory

Electromechanical operator for spring-operated overhead doors for residential use

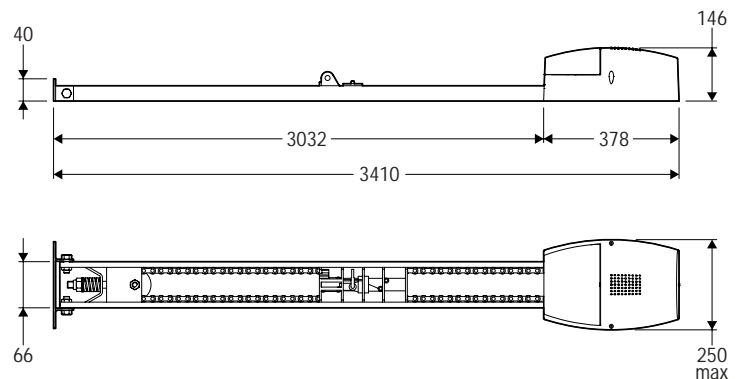


Example of installation

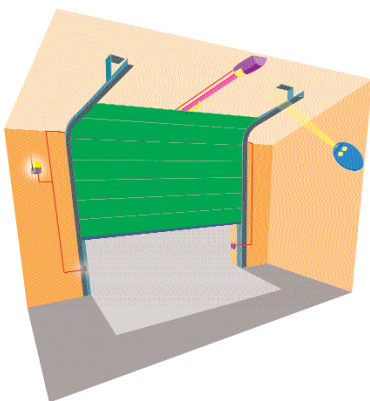
Dimensions

M operator EOS (P915140 00001) with SCE control board, and incorporated rolling-code receiver with 63 codes
 T double-channel rolling-code transmitter, Mitto 2 (D111453)
 Ft-Fr Pair of photocells, Cellula 130 (P111273)
 AL blinker Lampo 24V (D113638 00005) with antenna AEL 433 (D113632)
 CS Safety edge

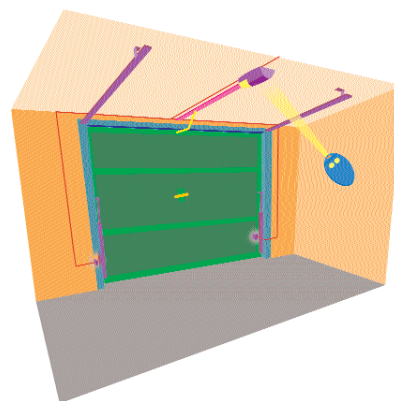
• For system layout and installation conditions, refer to the standards and laws in force in the country of installation.



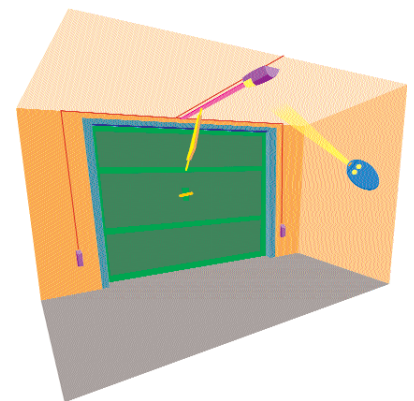
Applications



• sectional doors



• spring-operated overhead doors



• counterweight overhead doors, if the BRCT curved arm, available on request, is fitted.

Main characteristics

Irreversible type electromechanical operator for the automation of counterweight overhead doors and sectional doors for residential use • fitting to the ceiling • self-learning regulations • electronic torque limiter in the control board • SCE control board • automatic limit switches with encoder • integrated double-channel rolling-code receiver with 63 code, clonable • courtesy light • slow down on opening and closing • back up battery kit (optional) • Main specifications: supply 230V \pm 10% 50-60 Hz • motor 24Vdc • power 130W • force 600N • chain speed 5m/min.