

# SP4000

SP4000 P925169 00001

Incorporated control panel:  
SIRIO TEL

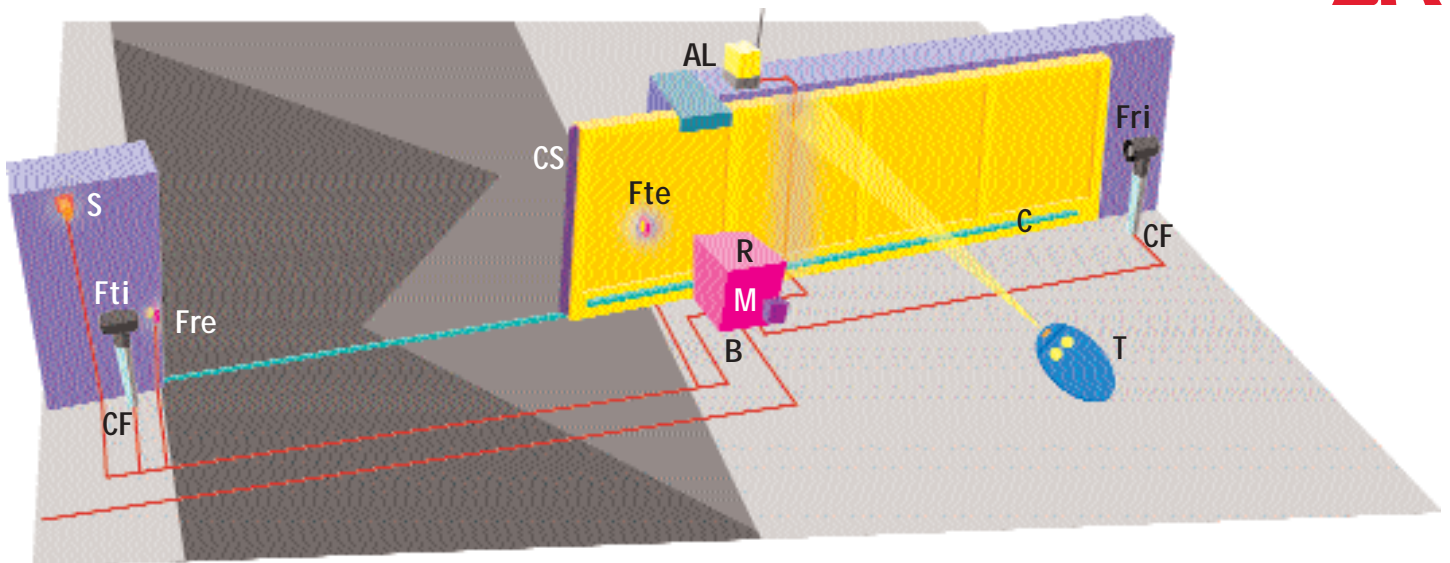
- Great reliability in intensive use with the SP4000 irreversible operator.
- Special treatment guarantees protection from bad weather.
- Release manoeuvre by means of a mechanical key-release device.
- Hydrodynamic joint coupling for smooth gate starting and stopping operations.
- Self-braking motor.



## Operator SP4000

Power supply	three-phase 400 Vac $\pm$ 10%, 50Hz
Absorbed power	1500 W
Protection	overload cut out inside the panel
Max leaf weight	40000 N (~ 4000 kg)
Output revolutions	30 min-1
Pinion pitch	6mm (18 teeth)
Leaf speed	10 m/min
Impact reaction	with edge and/or external devices
Manual manoeuvre	mechanical key-release device
Number of manoeuvres in 24 hours	continuous service
Control unit	SIRIO TEL
Type of limit device	electromechanical
Environmental conditions	from -15°C to +50°C
Degree of protection	IP 24
Operator weight	850 N (~85 kg)
Dimensions	see drawing

# Electromechanical operator for rack sliding gates weighing up to 4000 kg, for industrial use

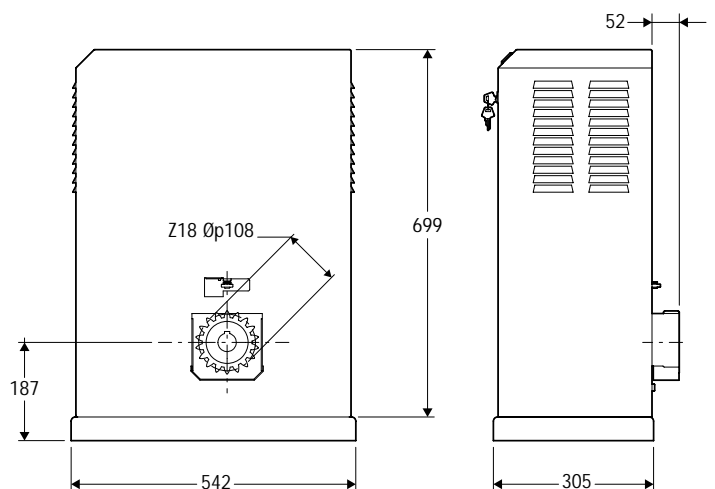


## Example of installation

M operator, SP4000 (P925169 00001)  
 with incorporated SIRIO TEL control panel  
 R single-channel rolling-code receiver, suitable for Mitto transmitter  
 T double-channel rolling-code transmitter, Mitto 2 (D111453)  
 Ftx-Frx Pair of photocells, Cellula 50 (P111272)  
 CF Pair of post, CC50 (P903004)  
 AL blinker, Lampo PA (D113622 00001)  
 with antenna SL433 (D111652)  
 S key selector, Intro (P121011)  
 C rack, CFZ6 (D571491), pitch 6 - 30x30  
 B BASP adjustable anchor base for SP4000 (P125001)  
 CS safety edge

• For system layout and installation conditions, refer to the standards and laws in force in the country of installation.

## Dimensions



## Main characteristics

Irreversible type electromechanical operator for the automation of sliding gates for industrial use • SP4000 is provided with a control panel having a removable terminal bar and self-diagnosis LED • self-braking motor • hydrodynamic joint coupling • three-phase overload cutout • manual release • SIRIO TEL control panel • Main specifications: supply 400 Vac three-phase  $\pm 10\%$  50Hz • power 1500W • leaf speed 10m/min • max leaf weight 4000N (~4000 kg).

