

SUB

SUB SC	P930026 00001	right
	P930026 00002	left
SUB R SC	P930012 00005	right
	P930012 00006	left
SUB E SC	P930009 00004	right
	P930009 00005	left
SUB ER SC	P930013 00007	right
	P930013 00008	left
SUB EL SC	P930014 00005	right
	P930014 00006	left
SUB G SC	P930010 00005	right
	P930010 00006	left
SUB EG SC	P930011 00005	right
	P930011 00006	left

Recommended control panel:
ALCOR SD



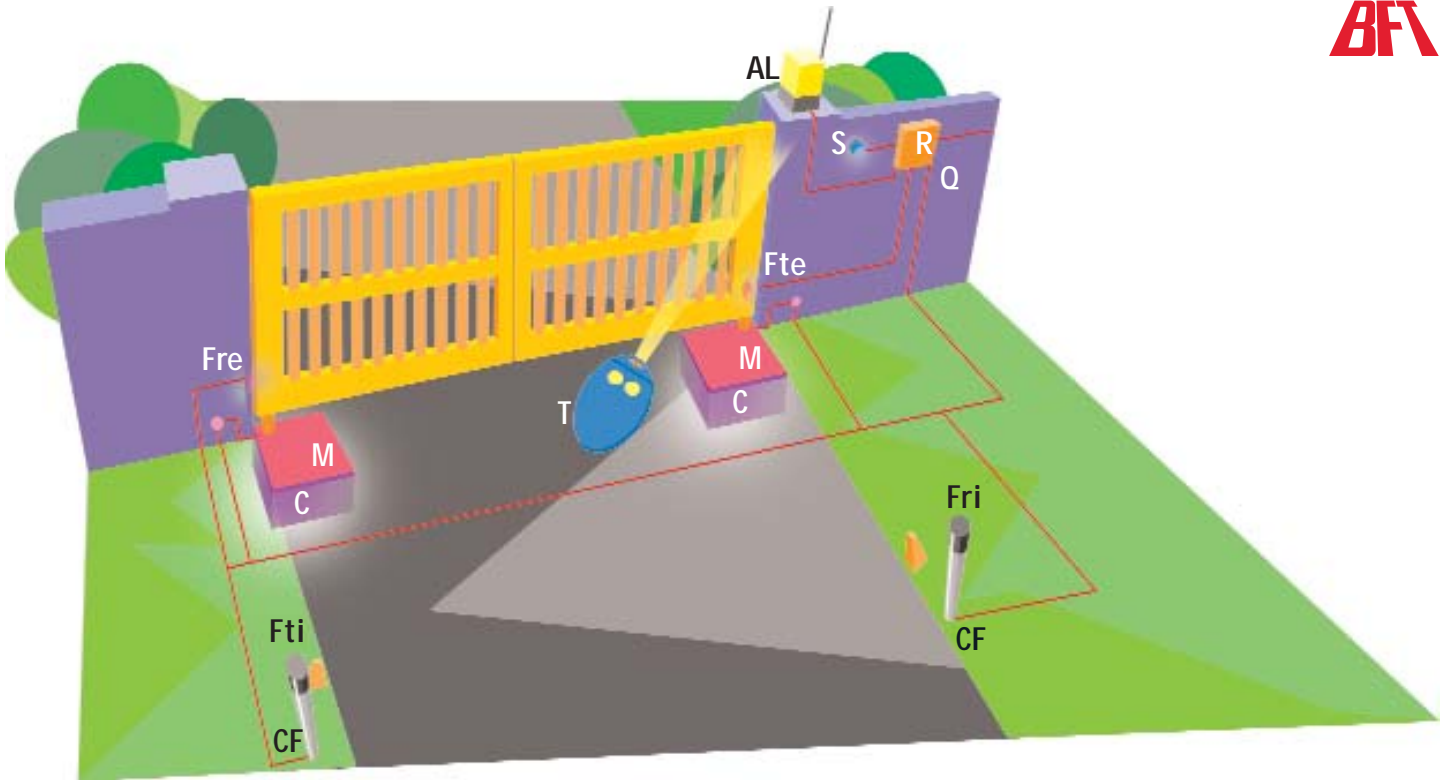
- Suitable for **under hinge pivot** installations, in places having a particular aesthetic value, the SUB hydraulic operator is manufactured as a single block, including the hydraulic unit and jack.
- Provided with a **hydraulic lock or reversible**, and with a slow-down device on closing and on opening.
- **Leaf opening can reach up to 180°**.
- **Antisquash safety** guaranteed by two by-pass valves which regulate the force on opening and on closing.
- **Easy maintenance**: the foundation case allows the operator to be removed without disassembling the gate leaf.

Irrev. operators	SUB SC	SUB R SC	SUB G SC
Single-phase power supply	230V ± 10%, 50 Hz	230V ± 10%, 50 Hz	230V ± 10%, 50 Hz
Absorbed power	250W	250 W	250W
Thermal protection	integrated	integrated	integrated
Max leaf weight	8000N(-800kg)	8000N(-800kg)	8000N(-800kg)
Leaf length max.	1,80m	1,80m	1,80m
Max opening angle	130°	130°	180°
Rotation speed	5,4°/s	9°/s	5,4°/s
Slow down	-	closing/opening	-
Impact reaction	hydraulic clutch	hydraulic clutch	hydraulic clutch
Type of lock	hydraulic clos./open.	hydraulic clos./open.	hydraulic clos./open.
Manual manoeuvre	release key	release key	release key
N° manoeuvres in 24 hours	500	500	500
Environmental conditions	from -10°C to +60°C	from -10°C to +60°C	from -10°C to +60°C
Degree of protection	IP67	IP67	IP67
Operator weight	220N (-22kg)	220N (-22 kg)	240N (-24 kg)
Dimensions	see drawing	see drawing	see drawing

Rev. operators	SUB E SC	SUB EL SC	SUB ER SC	SUB EG SC
Single-phase power supply	230V ± 10%, 50 Hz	230V ± 10%, 50 Hz	230V ± 10%, 50 Hz	230V ± 10%, 50 Hz
Absorbed power	250W	250 W	250 W	250 W
Thermal protection	integrated	integrated	integrated	integrated
Max leaf weight	8000N(-800kg)	8000N(-800kg)	8000N(-800kg)	8000N(-800kg)
Leaf length max.	2,50m	3,50m	2,50m	2,50 m
Max opening angle	130°	130°	130°	180°
Rotation speed	5,4°/s	3,9°/s	9°/s	5,4°/s
Slow down	-	-	closing/opening	-
Impact reaction	hydraulic clutch	hydraulic clutch	hydraulic clutch	hydraulic clutch
Type of lock	electric lock	electric lock	electric lock	electric lock
Manual manoeuvre	reversible	reversible	reversible	reversible
N° manoeuvres in 24 hours	500	500	500	500
Environmental conditions	from -10°C to +60°C	from -10°C to +60°C	from -10°C to +60°C	from -10°C to +60°C
Degree of protection	IP67	IP67	IP67	IP67
Operator weight	220N (-22kg)	220N (-22 kg)	220N (-22 kg)	240N (-24 kg)
Dimensions	see drawing	see drawing	see drawing	see drawing



Hydraulic operator for swing gates, leaf length up to 3,5 m, weight up to 800 kg, residential and apartment-block use

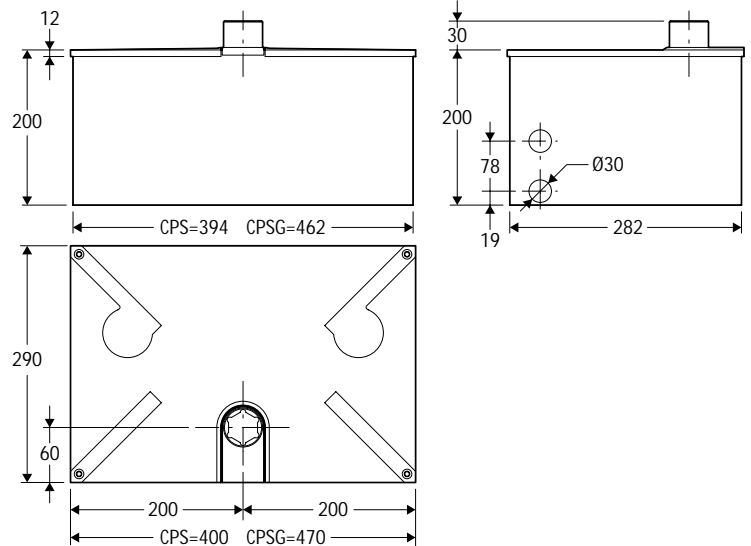


Example of installation

- M hydraulic operator (irreversible) right-side SUB SC (P930026 00001)
- M hydraulic operator (irreversible) left-side SUB SC (P930026 00002)
- C right-side foundation case CPS right (N733066 00001)
- left-side foundation case CPS left (N733066 00002)
- Q control panel ALCOR SD (D113647 00002)
- R single-channel rolling-code receiver, Clonix 1 (D111662 00001)
- T double-channel rolling-code transmitter, Mitto 2 (D111453)
- Ftx-Frx Pair of photocells, Cellula130 (P111273)
- CF Pair of posts, CC130 (P903005)
- AL blinker Lampo PA (D113622 00001) with antenna SL433 (D111652)
- S key selector, Intro (P121011)

• For system layout and installation conditions, refer to the standards and laws in force in the country of installation.

Dimensions



Main characteristics

Underground hydraulic operator for the automation of swing leaf gates for residential and apartment-block use • the SUB models consist of hydraulic single blocks to be installed inside CPS or CPSG bearing foundation cases • hydraulic torque limiter • recommended control panel: ALCOR SD • Main specifications: supply 230V ± 10% 50Hz • power 250W • speed from 3.9 degrees/sec to 9 degrees/sec • maximum torque 400Nm • max leaf weight 8000N (~800 kg) • max leaf length 3500mm • Models available: SUB E, SUB EL, SUB EG (reversible) • SUB, SUB G (irreversible) • SUB R, SUB ER (slowed down, reversible and irreversible).

Operator inserted in the foundation case

